

INGROUND BASE INSTRUCTIONS

FOR AKZ, AG35, AG35L AND AG25

Thank-you for purchasing a Shelta In-ground base. Please install your base and umbrella with care as large umbrellas can cause injury and property damage if not properly secured. If in doubt, consult a qualified tradesperson. Shelta umbrellas are not permanent shade structures and **MUST** be closed in strong winds or when left unattended. Shelta Australia does not accept liability for injury or damage if the umbrella is left open in strong winds.

Step 1 Dig a suitable hole using a shovel or posthole digger. Large cantilever umbrellas require a hole of at least 40cm diameter and minimum depth 60cm (equals 5 x 20kg bags of concrete mix). If the hole is in poorly compacted soil or sand, the depth should be increased to 90cm (equals 7 x 20kg bags of concrete mix).

Step 2 Prepare the in-ground base by detaching the round disk from the galvanised stem. Insert the 4 large countersunk screws back into the threaded holes until they protrude slightly below the underside of the flange.

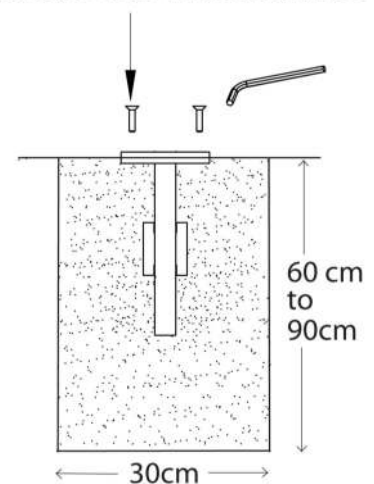
Step 3 Dampen the sides of the hole, then mix and pour the required amount of concrete.

Step 4 Insert the In-ground base into the wet concrete with the flange at the top. Use a trowel to smooth and level the surface of the concrete; adjust the base so that the top of the flange is level with the surface of the concrete; use a spirit level to ensure that the flange is horizontal.

Step 5 Allow the concrete to set for 4 hours and remove the large countersunk screws.

Step 6 Allow another 48 hours before erecting the umbrella. Attach the included round disk to the rotate bearing of the umbrella using the 4 small countersunk screws. Then mount the umbrella on to the galvanised stem using the large countersunk screws.

INGROUND ANCHORING



(4) SECURING BOLTS
PROVIDED WITH
INGROUND BASE

