



AD45 CANTILEVER UMBRELLA

Important Safety Information

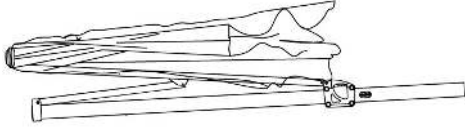


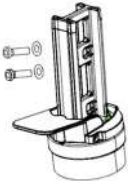
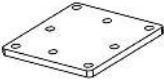
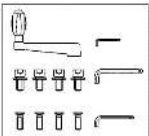
This umbrella is not a permanent shade structure and must be lowered when unattended or in windy conditions. Excessive wind puts stress on the frame, which can cause damage to the umbrella and danger to people. This umbrella is not recommended for exposed environments such as high balconies or roof tops. Please carefully read the following instructions; if in doubt, consult a qualified trades-person. Only use recommended Shelta bases or anchoring systems.

To ensure a long life for your AD45 Cantilever umbrella:

- Close the umbrella and cover with the Protective Sleeve between uses.
- Store in a dry, shaded location if not used for long periods.
- The umbrella should be hosed regularly with fresh water if exposed to salt spray, chlorine or pollution.
- Soiling of the canopy can be minimised by simply brushing off dirt before it becomes embedded in the fabric or spot cleaning soon after stains occur. Fabrics may be treated with a fabric protector such as 'Scotchguard' for additional protection.
- If it is necessary to close a wet umbrella in stormy weather, remember to open and dry the canopy as soon as weather conditions allow.
- Regularly check that the base of the umbrella is properly secured.

AD45 Components

After unpacking the carton, please make sure that you have the following components:

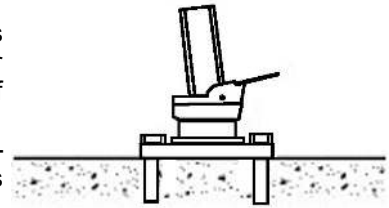
COMPONENT	REF	QTY	
AD45 Side-post and Umbrella	A	1	
Protective Sleeve	B	1	
Ballast Block Frames	C	2	
Rotate Bearing	D	1	
Rotate Base Plate	E	1	
Parts Bag (including Handle and spanner)	F	1	

AD45 Mounting Options

Mounting Option 1: Onground Plate (E included).

Suitable for a concrete slab (minimum 10cm thick) or a concrete column (30cm diameter by 75cm deep). With this option the umbrella can be rotated. Purchase 4 Stainless Steel masonry anchors such as 10mm x 75mm Dynabolts from your local hardware.

1. Place the Onground Plate (E) in the required location. Use metal spacers if the surface is not flat and horizontal. Mark the position of the 4 corner holes with a felt pen. Use a 10mm masonry bit to drill holes to a depth of 80mm. Fasten the Plate to the slab using the 4 masonry anchors.
2. If necessary, remove the Rotate Bearing (D) from the bottom of the Side-post and attach to the Onground plate using the four M8 x 20mm bolts and washers provided

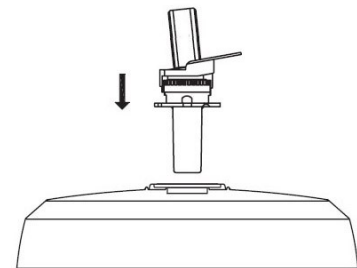


The Umbrella may also be bolted to a wooden deck using the same hardware however it is strongly recommended a builder reinforce the deck with extra joists under the boards and the pass-through stainless steel bolts or 100mm M12 galvanized or stainless steel coach bolts go through the joists.

Mounting Option 2: Shelta Resin Base (not included).

Suitable for most surfaces including timber decks. Purchase a Shelta Large Resin base from your local retailer (wheeled and non-wheeled versions available). Note: the Ballast Block Frame and the Onground Plate are not required for this option. **100 Kilos of 5mm blue metal and 10 Kilos of sand will be required to fill the Resin base for ballast**

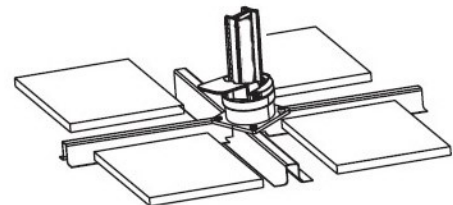
1. Remove the square plate from the bottom of the Rotate Bearing (D) by unscrewing the 4 countersunk screws.
2. If necessary, remove the Rotate Bearing from the bottom of the Side-post and attach to the Resin Base "Top Hat" using the 4 countersunk screws.
3. Follow the assembly instructions included with the Large Resin Base.



Mounting Option 3: Ballast Block Frame (C included).

Suitable for most surfaces including grass. **This should be ballasted with between 110 and 140 kilograms of weight.** Purchase at least 6 Shelta Resin Stone Ballast Weights or concrete pavers (45 x 45 x 4cm) from your outdoor retailer or hardware.

1. Assemble the 2 parts of the Ballast Block Frame (C) at right angles.
2. If necessary, remove the Rotate Bearing (D) from the bottom of the Side-post and attach to the Ballast Block Frame using four M8x20mm screws and washers provided.
3. Place the assembled frame in the required location. Note: for safe use the surface should be flat and horizontal.
4. Place at least 6 Resin Stone or paving blocks on the assembled frame with double-stacked blocks on the side opposite the umbrella.



AD45 Operating Instructions

1. Carefully lift the umbrella and side-post to the vertical position. Lower onto the Rotate Bearing stem and insert 2 screws with washers into the bottom of the side-post.
2. Attach the crank handle using the small Allan key.
3. **Opening.** Turn the crank clockwise, the umbrella will open. Turn the crank anticlockwise, the umbrella will close. When cranking, if you feel pressure and the umbrella is not opening, spread the umbrella ribs using your hands, then continue to crank open.
4. **Tilting.** To change the angle of the umbrella (Tilt), squeeze the Tilt handle trigger and move it up or down until you reach the angle that you require.
5. **Closing.** When closing umbrella squeeze the Tilt handle trigger and pull down towards bottom of mast; at the same time turn the handle anticlockwise to close the umbrella.
6. **Rotating.** The umbrella will rotate 360 degrees by simply stepping on the base pedal; rotate the main frame by hand.
7. When not in use, tie the fabric band around the umbrella and side-post, then slip the unzipped Protective Sleeve over the top of the umbrella.

